





CNC



## CNC Features & Benefits

All the details that make bott CNC storage the finest range available.

Page 171

## Tool Holding Inserts

Clip in inserts to suit all major tooling shanks.

Page 172

## Tool Carriers

Multi use holders for use with the holding inserts.

Page 172

## Tool Carrier Holders

Bench stands and trolleys for the tool carrier.

Page 173

## CNC Drawer Cabinets

bott cubio cabinet accessories for use with CNC tooling.

Page 174

## CNC Cupboards

bott cubio cupboards and accessories for use with CNC tooling.

Page 176

## Tool Blocks

CNC insert holders for use freestanding or with louvre panels.

Page 178

## Tool Block Holders

Wall, bench, freestanding and mobile panels options for use with the tool blocks.

Page 179

# CNC | Features & Benefits



## Holding Inserts

The core of the system, tough, clip in inserts to safely and securely hold all major tooling shank sizes.

## Tool Carriers

Sturdy, versatile and easily adapted carrier for the holding inserts. Use freestanding or with accessories.

## Carrier Bench Stands

Holds up to three tool carriers on any bench worktop.



## Carrier Trolleys

Trolley options for the tool carrier, high capacity and easy mobility combined.

## Cabinets & Cupboards

Utilising the bott cubio range there are many options for storing CNC tooling and tool carriers within the cabinets and cupboards.

## Tool Blocks

Simple blocks for use freestanding or in conjunction with louvre panels.

## Louvre Panels & Trolleys

Available in wall, freestanding mobile and bench mount options, double flanged and reinforced to increase rigidity.



cubio  
cabinets

cubio  
mobile

cubio  
dividers

cubio  
cupboards

cubio  
benches

perfo

cnc

verso  
cabinets

verso  
mobile

verso  
cupboards

verso  
benches

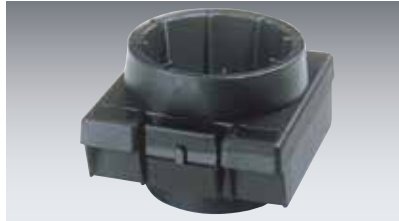
facilities

cases &  
seating

# CNC | Inserts & Carriers

## Tool Holding Inserts

The core of the system are the easy fit tool holding inserts. 50, 75 or 100mm wide depending on model, they simply clip into the metal carrier or frame.



To calculate the insert capacity compare the tool type sections with the available sections per row in the metal carrier or holder.

A blank holder is available for other tool sizes. The solid plug is removed for machining to the required bore dimensions.

All inserts have a taper bore except VDI models. Top diameter shown.

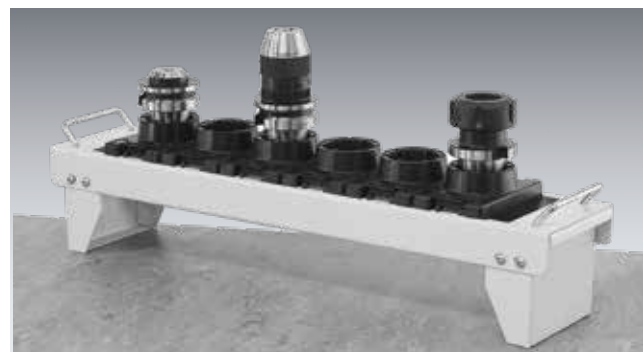
The insert sits 32mm above the metal carrier or holder.

Tool Holding Inserts					
Tool Type	Diameter (mm)	Sections	Width (mm)	Order Ref.	Price £
ISO30 / BT30 / SK30 / Morse 3	28	2	50	15002041	2.60
HSK - A40 / C40 / E40 / F40 / B50	30	2	50	15002042	2.60
HSK - A 32 / C32 / E32 / F32 / B40	24	2	50	15002043	2.60
Capto C3	23	2	50	15002093	2.60
Capto C4	29	2	50	15002094	2.60
VDI 30	30	3	75	15002044	3.46
VDI 40	40	3	75	15002045	3.46
ISO 35 / BT 35 / SK35 / Morse 4	35	3	75	15002046	3.46
ISO 40 / BT40 / SK40	41	3	75	15002047	3.46
ISO 45 / BT45 / SK45 / Morse 5	49	3	75	15002048	3.46
HSK - A50 / C50 / E50 / F50 / B63 / F63	38	3	75	15002049	3.46
HSK - A63 / C63 / E63 / B80	48	3	75	15002050	3.46
Capto C5	37	3	75	15002095	3.46
Capto C6	46	3	75	15002096	3.46
VDI 50	50	4	100	15002051	4.32
VDI 60	60	4	100	15002052	4.32
ISO 50 / BT 50 / SK50	67	4	100	15002053	4.32
HSK - A80 / C80 / E80 / F80 / B100	60	4	100	15002054	4.32
HSK - A100 / C100 / E100 / F100 / B125	75	4	100	15002055	4.32
Blank for Customising	\	4	100	15002056	25.55

## Tool Carriers

For use freestanding or in conjunction with trolleys, cupboards, benches and cabinets. Grab handles at each end allow for easy transportation.

Supplied with tool storage inserts for the most popular styles or empty for custom configurations.



Dimensions (mm) - 590 wide x 125 deep x 110 high

Kitted Tool Carriers			
Capacity	Tool Type	Order Ref.	Price £
10	ISO30 / BT30 / MT3	15001012.16	69.06
6	ISO40 / BT 40	15001014.16	59.37
5	ISO50 / BT50	15001016.16	60.37
6	VDI30	15001017.16	59.37
6	VDI40	15001018.16	59.37
5	VDI50	15001019.16	60.37
6	HSK - A63 / B80	15001024.16	59.37
5	HSK - A100 / B125	15001026.16	60.37

Empty Tool Carrier			
Rows	Sections	Order Ref.	Price £
1	20	15001007.16	29.73

# CNC | Carrier Bench Stand & Trolleys

## Tool Carrier - Bench Stand

- Allows tool carriers to be stored on any worktop
- Will hold 3 tool carriers (not included)
- 600mm wide x 450mm deep x 375mm high



Item	Order Ref.	Price £
Bench Stand for 3x Tool Carriers	15001003.16	157.32

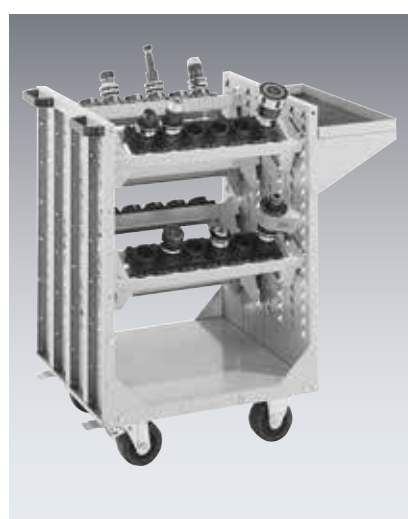
## Compact Trolley



- Fixed position trolley
- For tool carriers which fit directly into the trolley
- 650mm wide x 710mm deep x 1020mm high
- Supplied empty, add the required carriers
- 300kg total capacity

Item	Order Ref.	Price £
Compact Trolley	10401030.16	708.06

## High Capacity Trolley



- Adjustable position trolley for tool carriers
- Each carrier requires a pair of carrier brackets
- An optional end shelf is available
- 670mm wide x 600mm deep x 985mm high
- Supplied empty, add the required carriers
- 300kg total capacity



HC Trolley - Carriers require a set of holding brackets. Carriers may be mounted in multiple positions

Item	Order Ref.	Price £
HC Trolley	10401029.16	602.60
End Shelf	12102084.16	87.27
Carrier Bracket Set	15003011.16	16.09

Models available with tool holding inserts see [bottltd.co.uk/CNC-Trolleys-Pre-Kitted](http://bottltd.co.uk/CNC-Trolleys-Pre-Kitted) for full details and pricing

# CNC | Carrier Drawer Frames & Cabinets

## Tool Carrier - Drawer Brackets

For high volume storage with ease of access and security CNC tooling may be stored in one of the bott cubio static or mobile cabinets.

The cabinets will accept either the tool carrier block via drawer brackets (below) or direct into the tool frame (opposite).

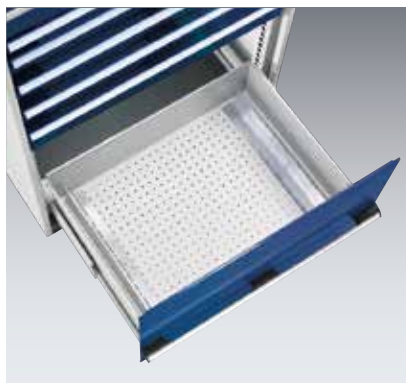
Both systems will work with a wide selection of cabinet sizes, the ideal model will depend upon the length and quantity of tooling.

Please ask for a no obligation quote or on site consultation to discuss your requirements.



## Tool Carrier - Drawer Brackets

Tool carriers may be mounted within the drawers using the accessory bracket set. The ideal cabinet is 800mm wide x 650mm deep but the system will work with the larger sizes. Up to 3 carriers may be stored in each drawer.



800mm x 650mm cabinet with carrier brackets.



Carriers locate onto the drawer brackets.

Item	Order Ref.	Price £
Carrier Brackets	43013031.51V	67.14



Cabinets

see pages 26 - 63

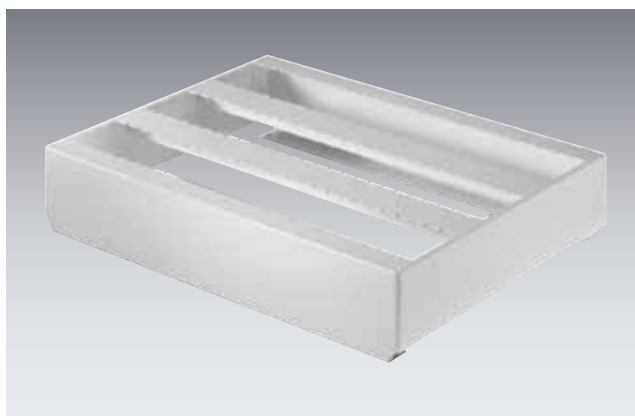


Dividers

see pages 64 - 83

## Drawer Frames & Inserts

The tool holding inserts shown on page 172 clip into the drawer frame which have 2, 3 or 4 rows. Drawer frames are available in 80 and 125mm heights to suit the tooling shank length. Choose a cabinet drawer front height large enough to accommodate your tooling's overall length.



Drawer frames are also available for cupboards, see page 179.

Empty drawer frame, add required inserts.  
Any combination of CNC inserts may be used together in a single row up to the maximum number of sections per row.

Cabinet Width (mm)	Cabinet Depth (mm)	Rows	Sections Per Row	80mm high		125mm high	
				Order Ref.	Price £	Order Ref.	Price £
525	525	2	15	43013001.16V	62.25	43013002.16V	64.24
525	650	3	15	43013011.16V	59.39	43013012.16V	63.04
650	650	3	20	43013013.16V	65.86	43013014.16V	69.35
650	750	4	20	43013023.16V	72.92	43013024.16V	79.86
800	525	2	26	43013005.16V	70.09	43013006.16V	74.97
800	650	3	26	43013015.16V	70.93	43013016.16V	75.41
800	750	4	26	43013025.16V	78.28	43013026.16V	83.66
1050	525	2	36	43013007.16V	92.64	43013008.16V	99.84
1050	650	3	36	43013017.16V	82.41	43013018.16V	89.74
1050	750	4	36	43013027.16V	91.47	43013028.16V	98.64
1300	750	4	46	43013029.16V	107.61	43013030.16V	115.51

- cupio cabinets
- cupio mobile
- cupio dividers
- cupio cupboards
- cupio benches
- perfo
- cnc
- verso cabinets
- verso mobile
- verso cupboards
- verso benches
- facilities
- cases & seating



# CNC | CNC Cupboards Storage

## CNC Cupboards

- 800mm or 1050mm wide x 525mm deep, choice of heights
- perfo or louvre door liner panels
- 75kg U.D.L. capacity drawers for drawer frames
- For carrier storage use the carrier holding shelf
- Sliding storage shelf accepts inserts

## Insert Fitment

Any combination of CNC inserts may be used together in a single row up to the maximum number of sections per row.



## Cupboard Housing

Cupboard Height	800mm wide				1050mm wide			
	Perfo Doors		Louvre Doors		Perfo Doors		Louvre Doors	
	Order Ref.	Price £	Order Ref.	Price £	Order Ref.	Price £	Order Ref.	Price £
800	40012049.11V	381.11	40012050.11V	381.11	40013009.11V	418.11	40013010.11V	418.11
1000	40012053.11V	390.10	40012054.11V	390.10	40013013.11V	420.86	40013014.11V	420.86
1200	40012055.11V	429.66	40012056.11V	429.66	40013015.11V	468.37	40013016.11V	468.37
1600	40012057.11V	513.12	40012058.11V	513.12	40013017.11V	533.54	40013018.11V	533.54
2000	40012059.11V	593.84	40012060.11V	593.84	40013019.11V	613.06	40013020.11V	613.06

## Drawer Pan



125mm or 175mm high drawers with 75kg U.D.L. capacity on smooth action roller bearing slides. Adjustable on a 25mm vertical pitch.

Cupboard Size (mm)	125mm High		175mm High	
	Order Ref.	Price £	Order Ref.	Price £
800 x 525	40522013.16V	61.14	40522015.16V	65.43
1050 x 525	40522017.16V	80.58	40522019.16V	87.11

## Standard Shelf



Durable, scuff resistant galvanised steel shelves, 100kg U.D.L. capacity. Adjustable on 25mm pitch.

Cupboard Size (mm)	Order Ref.	Price £
800 x 525	42101014.51V	30.18
1050 x 525	42101018.51V	34.81

## Tool Carrier - Sliding Shelves



Supplied empty as a frame for use with the tool carriers, 3 tool carriers may be located in each shelf. For tool carriers see page 172.

- Roller bearing slides, 75kg U.D.L. load capacity
- Overall height is 220mm

Cupboard Width	Cupboard Depth	Carrier Capacity	Order Ref.	Price £
800mm	525mm	3	40523001.16V	134.91

## Sliding Shelf Frame



Supplied as an empty frame for use with the tool holding inserts detailed on page 172.

- Roller bearing slides, 75kg U.D.L. load capacity
- Overall height is 220mm
- 3 Rows per sliding shelf frame
- 24 sections per row (800mm wide models)
- 33 sections per row (1050mm wide models)

Cupboard Width	Cupboard Depth	Order Ref.	Price £
800mm	525mm	40523002.16V	123.48
1050mm	525mm	40523005.16V	166.25

## Drawer Frame



Supplied as an empty frame for use with the tool holding inserts detailed on page 172.

- Fits into a standard 1050 or 800mm wide x 525mm deep cubio cupboard drawer.
- 2 Rows per drawer frame
- 26 sections per row (800mm wide models)
- 36 sections per row (1050mm wide models)

Cabinet Width	80mm High Frame		125mm High Frame	
	Order Ref.	Price £	Order Ref.	Price £
800mm	43013005.16V	70.09	43013006.16V	74.97
1050mm	43013007.16V	92.64	43013008.16V	99.84

## CNC | Tool Blocks & Panels

### Tool Blocks

Steel tool blocks for use freestanding or in conjunction with louvre panels.

Blocks are 233mm wide x 158mm deep x 139mm high. The most popular styles are shown complete with tool holding inserts, for other types use the empty block and add the required inserts from page 172.

Tools Stored	Tool Type	Order Ref.	Price £
4	ISO30 / BT 30 / MT3	15002057.16	31.15
3	ISO40 / BT 40	15002059.16	31.15
2	ISO50 / BT50	15002061.16	31.15
3	VDI30	15002062.16	31.15
3	VDI40	15002063.16	31.15
2	VDI50	15002064.16	31.15
3	HSK A63 / B80	15002069.16	31.15
2	HSK A80 / B100	15002070.16	31.15



#### Empty Tool Block

Rows	Sections	Order Ref.	Price £
1	9	13013054.16	25.52

### Tool Block - Louvre Panels

Louvre panels are available in 3 widths, all feature reinforcing strips and folding to increase rigidity. Hook on bins and holding accessories are also available, please see pages 154 - 155.

Panel W x H (mm)	Maximum Tool Blocks Per Panel	Order Ref.	Price £
495 x 457	4	14025137.11	20.53
990 x 457	8	14025139.11	29.73
1486 x 457	12	14025140.11	43.45



### Tool Block - Louvre Bench Panels

Using the standard horizontal panel the bench stand kit has rear brackets and end panels.

Suitable for fitment to all bott benches.

Overall height above the worktop is 457mm.

Bench Width (mm)	Order Ref.	Price £
1500	07002203.11V	84.13
2000	07002204.11V	93.35



# CNC | Tool Blocks Panel Rack & Trolleys

## Tool Block - Freestanding Louvre Panels



Double sided starter rack shown complete with tool blocks and optional base shelf, add the required tool blocks from opposite to the empty rack of choice.

Freestanding rack utilising the horizontal louvre panels. Available in single and double sided formats, starter and add on styles.

Up to 32 tool blocks may be used on each side. A base shelf for long tooling is available as an option.

1015mm wide x 452 / 905mm deep x 1835mm high.



Optional base shelf kit.

Format	Style	Depth (mm)	Order Ref.	Price £
Single Sided	Starter	452	12102092.11	314.04
Double Sided	Starter	905	12102094.11	519.68
Single Sided	Add on	452	12102093.11	255.47
Double Sided	Add on	905	12102095.11	413.74
Base Shelf			12102096.16	53.83

## Tool Block - Louvre Panel Trolley



Double sided louvre panel trolley with a 3 piece top tray, push / pull handle and 125mm diameter wheels included as standard.

Up to 12 blocks may be stored on each side.

Reinforced lockable doors and a base shelf for long tooling are available as optional extras.

1115mm wide x 600mm deep x 1150mm high.

Trolley shown complete with tool blocks, add the required type from above to the empty trolley.



Optional base shelf kit.



Optional door kit.

Item	Order Ref.	Price £
Tool Block Trolley (empty)	10403013.11	586.23
Door Kit (for 1 Side)	12501016.11	121.70
Base Shelf	12102096.16	53.83

cupio cabinets

cupio mobile

cupio dividers

cupio cupboards

cupio benches

perfo

cnc

verso cabinets

verso mobile

verso cupboards

verso benches

facilities

cases & seating